

DIAMANT-KERNBOHRMASCHINE TYP SR35  
 DIAMOND CORE DRILL TYPE SR35

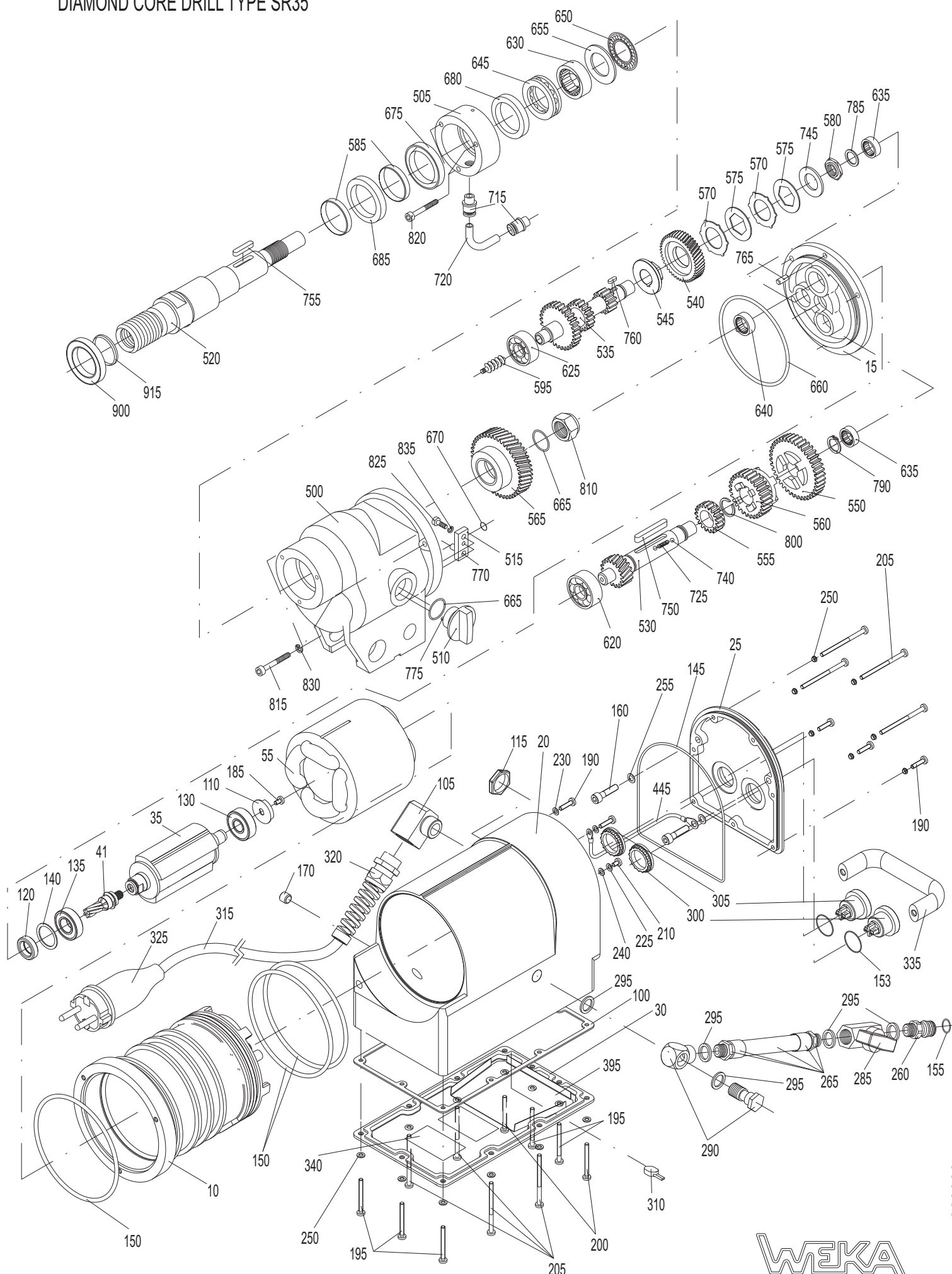


Fig	No	Description	Standard	Part no	Fig	No	Description	Standard	Part no
10	1	Motor case		SR30101	525	1	Drill Spindle M33/3		SR30206.8
15	1	Intermediate Flange		SR30102	530	1	Gear Change Shaft		DK30207
20	1	Case Sleeve		SR30104	535	1	Pinion Shaft		SR30208-1
25	1	Switch Cover		SR30133	540	1	Spur Wheel		SR30209
30	1	Terminal Case Cover		SR30135	545	1	Bearing Bush		SR30221
35	1	Rotor compl.		SR30108	550	1	Gear Wheel 1		DK30212
55	1	Stator compl.		SR30109	555	1	Gear Wheel 3		DK30213
100	1	Terminal Case Sealing		SR30122	560	1	Slide Gear Wheel		DK30214
105	1	Cable Angle		DK40140	565	1	Spindle Wheel		SR30215
110	1	Sensor-Disc		SR30118	570	2	Brake Disk		SR30218
115	1	Hexagon Nut	Pg13	8806135	575	2	Pressure Disk		SR30219
120	1	Rotary Shaft Seal	14x24x7	5014247	580	1	Hexagon nut		SR30220
130	1	Ball Bearing	6201 2Z	6062012	585	2	Shaft Wearing Sleeve		DK20210
135	1	Ball Bearing	6002 RS	6060022	595	1	Feed Worm		SR30230
140	1	Compensation Washer		2632201	600	1	Bearing Bush alternative		SR30240
145	1	O-Ring	RDR 135x2	4513502	605	1	Bearing Bush alternative		SR30242
150	3	O-Ring	RDR 110x4	4511004	610	1	Axle alternative		SR30246
155	1	O-Ring	RDR 11x2,5	5511025	615	1	Eccentric Shaft alternative		SR30248
160	2	Hex. So. Head Screw	M6x20	0106020	620	1	Ball Bearing	6302	6063020
165	1	Hex. So. Head Screw	M4x55	0104055	625	1	Ball Bearing	6201	6062010
170	1	Slot. Set Screw	M6x5	0706005	630	1	Needle Bearing	NK3/020	6330200
175	6	Cheese head screw	M3x8	0303008	635	2	Needle Bush	HK1412	6314120
180	10	Cheese head screw	M3x14	0303014	640	1	Needle Bush	HK2016	6320160
185	4	Cheese head screw	M4x8	0304008	645	1	Thrust Ball Bearing		6551106
187	4	Cheese head screw	M4x14	0304014	650	1	Thrust Needle Bearing	AXK3047	6530470
190	5	Cheese head screw	M4x16	0304016	655	1	Thrust Bearing Washer	AS3047	6530471
195	5	Cheese head screw	M4x40	0304040	660	1	O-Ring	RDR102x3	5510203
200	2	Cheese head screw	M4x45	0304045	665	2	O-Ring	RDR20x3	5520003
205	8	Cheese head screw	M4x60	0304060	670	1	O-Ring	RDR9x3	5509003
210	1	Slot. Pan Head Screw	M4x6	0304006	675	1	Rotary Shaft Seal	AD40x52x7	5040527
215	1	Slot. Ct. Head Screw	M5x16	0405016	680	1	Rotary Shaft Seal	UD38x50x7	5038507
220	1	Hexagon Nut	M5	1005000	685	1	Rotary Shaft Seal	UE40x52x7	5040521
225	2	Curved Spring Washer	A4	1804137	715	2	Quick Connect Nipple	G1/4"/8	7014668
230	2	Locking Washer	SM4	1804000	720	1	Junction Hose	5/8x110	7058110
240	1	Medium Washer	4,3x8 Ms	1804433	725	1	Pressure Spring		4305235
245	1	Medium Washer	4,3x12	1804902	740	2	Ball	4	2204000
250	18	Sealing Washer	M4	1804001	745	1	Disk Spring	31,5x17,3x2	4031172
255	2	Sealing Washer	M6	1806001	750	1	Parallel Key	A6x6x45	3006045
260	1	Quick Connect Nipple		DK20225	755	1	Parallel Key	A5x5x25	3005025
265	1	Hose Piece w. nipples		DK30235	760	1	Parallel Key	A4x4x10	3004010
285	1	Ball Valve		7014001	765	1	Parallel Pin	6m6x10	2506010
290	1	Angle Screwing	G1/4"	7015010	770	1	Parallel Pin	5m6x15	2505015
295	5	Sealing Ring	G1/4"	7014003	775	1	Parallel Pin	3m6x16	2503016
300	1	On-Button		8011313	785	1	Shim Ring	PS16x22x1	1916221
305	1	Off-Button		8011221	790	1	Retaining Ring	16x1	3516001
310	1	Thermal Switch		8050100	800	1	Retaining Ring	SW20	3620000
315	1	Cord	G1,5X4m	8740152	810	1	Hexagon Nut	M22x1,5	SR30226
320	1	Cord Gland		8804020	815	3	Hex. Soc. Head Screw	M6x30	0106030
325	1	Mains Plug	Schuko	8016013	820	3	Hex. Soc. Head Screw	M5x45	0105045
335	1	Carrying Handle		8910050	825	1	Hex. Soc. Head Screw	M5x12	0105016
500	1	Gear Box		SR30201	830	3	Locking Washer	SM6	1806000
505	1	Water Supply Bush		SR30202	835	1	Locking Washer	SM5	1805000
510	1	Gear Change Grip		DK20203		1	Gear Oil	300 ml	9030001
515	1	Gear Change Lever		DK30205	900	1	Antifriction Element		AE35
520	1	Drill Spindle 1 1/4"UNC		SR30206	915	2	O-Ring		5532015

Please specify in case of spare part orders: Machine No., Quantity, Description, Part No. and for electrical parts the voltage